

Design R&D Euromobil and Roberto Gobbo

## Project

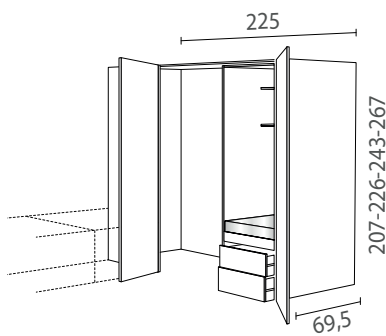
Corner Box is an advanced corner cupboard system designed to multiply space. It can be fitted at will with shelves, accessories or tall units or it can house small household appliances, a washing machine, a dryer, etc. Various opening methods ensure total access to the unit.

## Available finishes

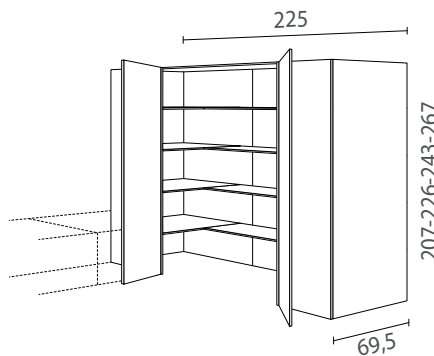
- a. TSS
- b. Matt tecnolamina
- c. Ecolaccato
- d. Matt lacquer
- e. Super matt lacquer
- f. Glossy lacquer
- g. Fusion lacquer
- h. Satin lacquer
- i. Fenix NTM / NTA
- l. Texture oak, Eucalyputs, natural elm, Materia oak and walnut
- m. Wood canetè



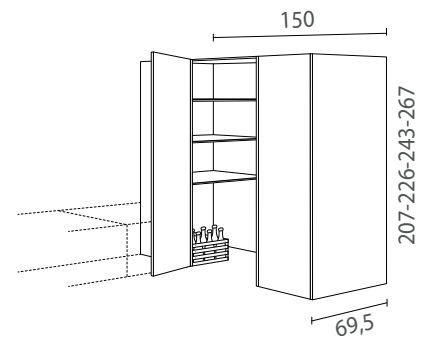
## Examples of modularity



a. Empty Corner Box can be equipped



b. Corner cupboard fitted with shelves



c. Empty Corner Box can be equipped

[Find the nearest Euromobil dealer](#) to configure the Kabinspace system according to your needs.