

Design R&D Euromobil and Roberto Gobbo

Project

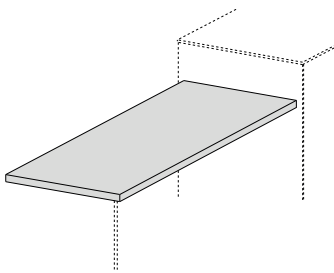
Table tops and snack tops th. 4 cm with straight or sloping edges, available for all solutions and functions.

Available finishes

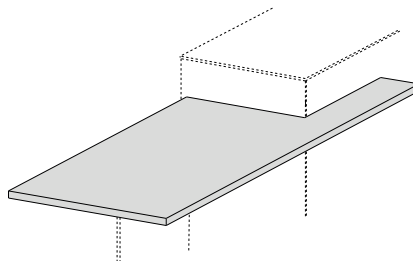
- a. HPL laminate
- b. Fenix NTM - NTA
- c. Veneer



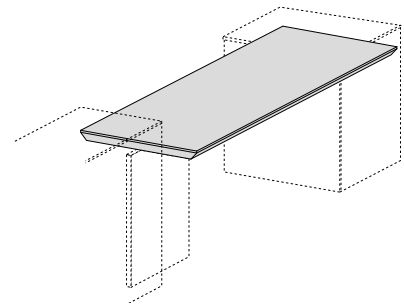
Examples of modularity



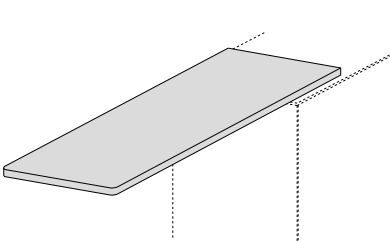
Integrated table top th 4 cm



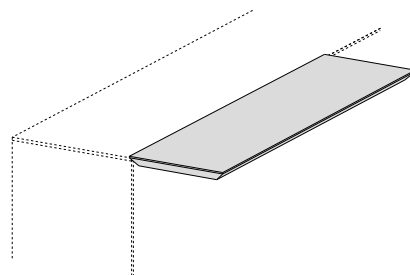
Shaped table top th 4 cm



"Inclina" table top th 4 cm
4 edges 45° inclined



Snack work top th 4 cm



Protruding snack work top th 4 cm

[Find the nearest Euromobil dealer](#) to configure the Kabinspace system according to your needs.