

Design R&D Euromobil and Roberto Gobbo

Project

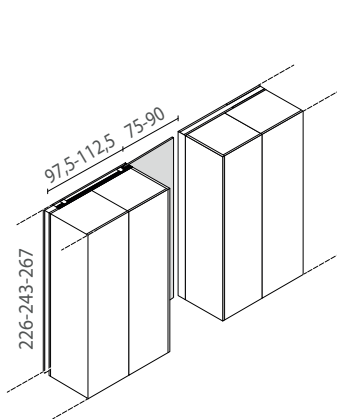
Kabinspace is an innovative system that generates space and creates storage areas with great freedom and without any need for structural work. It consists of cabinets that are finished on the back and conceived as architectural elements, and of an exclusive, sliding-door element that has no top or bottom runners. The external corner tall unit completes the system.

Available finishes

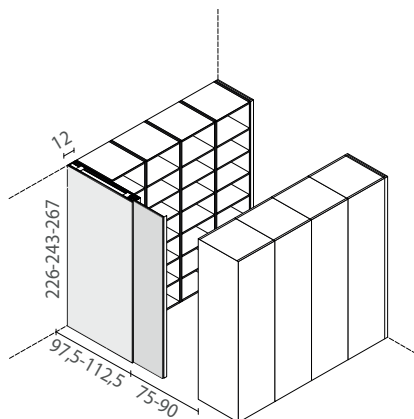
- a. TSS
- b. Ecolaccato
- c. Matt lacquer
- d. Super matt lacquer
- e. Glossy lacquer
- f. Fusion lacquer
- g. Satin lacquer
- h. Fenix NTM / NTA
- i. Texture oak, Eucalypts, natural elm, Materia oak and walnut
- l. Wood canetè



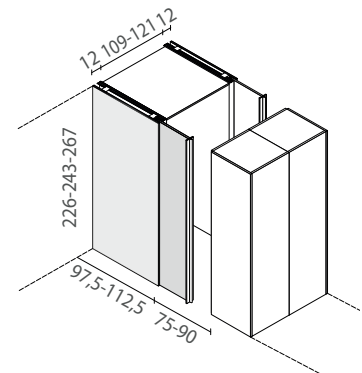
Examples of modularity



a. Mechanism fixed to the back panel of tall units



b. Mechanism fixed to the side panel of tall units



c. Double Kabin
Mechanism facing the inner opening

[Find the nearest Euromobil dealer](#) to configure the Kabinspace system according to your needs.

Design R&D Euromobil and Roberto Gobbo

Project

Kabinspace is an innovative system that generates space and creates storage areas with great freedom and without any need for structural work.

It consists of cabinets that are finished on the back and conceived as architectural elements, and of an exclusive, sliding-door element that has no top or bottom runners.

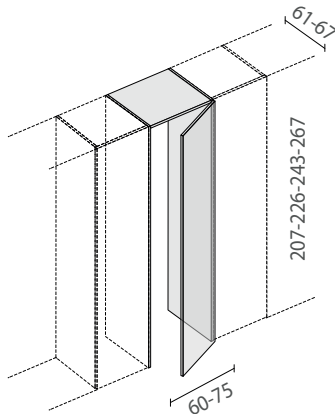
The external corner tall unit completes the system.

Available finishes

- a. TSS
- b. Ecolaccato
- c. Matt lacquer
- d. Super matt lacquer
- e. Glossy lacquer
- f. Fusion lacquer
- g. Satin lacquer
- h. Fenix NTM / NTA
- i. Texture oak, Eucalyptus, natural elm, Materia oak and walnut
- l. Wood canetè



Examples of modularity



[Find the nearest Euromobil dealer](#) to configure the Kabinspace system according to your needs.

Design R&D Euromobil and Roberto Gobbo

Project

Kabinspace is an innovative system that generates space and creates storage areas with great freedom and without any need for structural work.

It consists of cabinets that are finished on the back and conceived as architectural elements, and of an exclusive, sliding-door element that has no top or bottom runners.

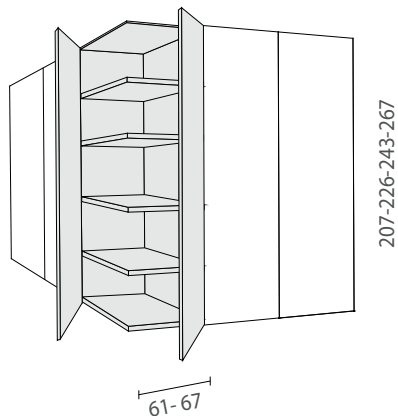
The external corner tall unit completes the system.

Available finishes

- a. TSS
- b. Ecolaccato
- c. Matt lacquer
- d. Super matt lacquer
- e. Glossy lacquer
- f. Fusion lacquer
- g. Satin lacquer
- h. Fenix NTM / NTA
- i. Texture oak, Eucalyptus, natural elm, Materia oak and walnut
- l. Wood canetè



Examples of modularity



[Find the nearest Euromobil dealer](#) to configure the Kabinspace system according to your needs.