

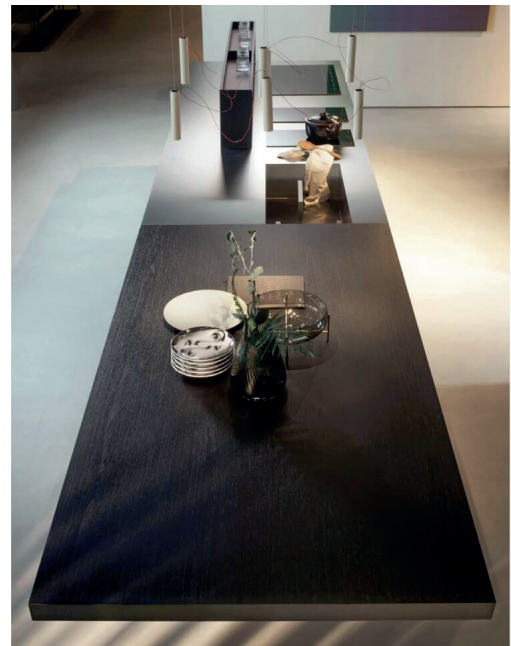
Design R&D Euromobil and Roberto Gobbo

Project

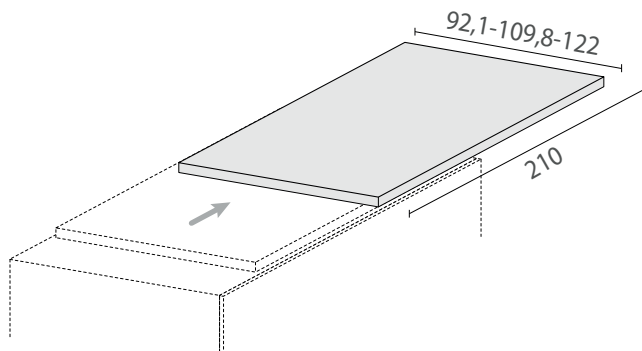
Eat sliding top (thickness 7.5 cm) in Wood, equipped with an aluminum sliding mechanism with silenced stops for opening and closing.

Available finishes

- HPL laminate
- Fenix NTM - NTA
- Texture oak, thermotreated eucalyptus, Natural elm, Materia oak and walnut
- Plint wood



Examples of modularity



[Find the nearest Euromobil dealer](#) to configure the Kabinspace system according to your needs.